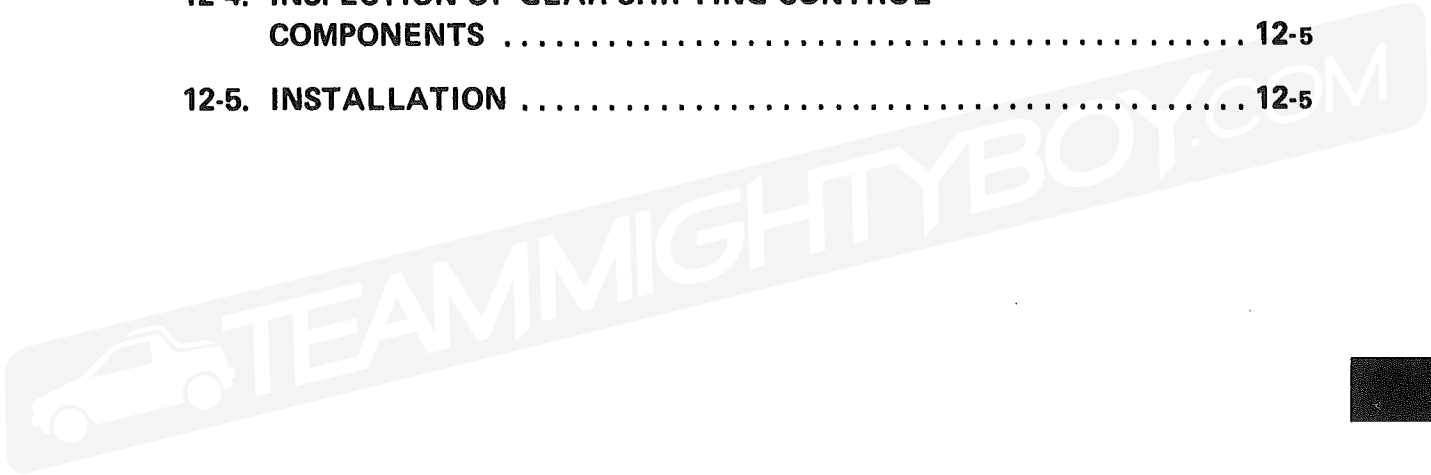


SECTION 12

GEAR SHIFTING CONTROL

CONTENTS

12-1. DESCRIPTION	12-2
12-2. INSPECTION AND ADJUSTMENT	12-3
12-3. REMOVAL	12-4
12-4. INSPECTION OF GEAR SHIFTING CONTROL COMPONENTS	12-5
12-5. INSTALLATION	12-5

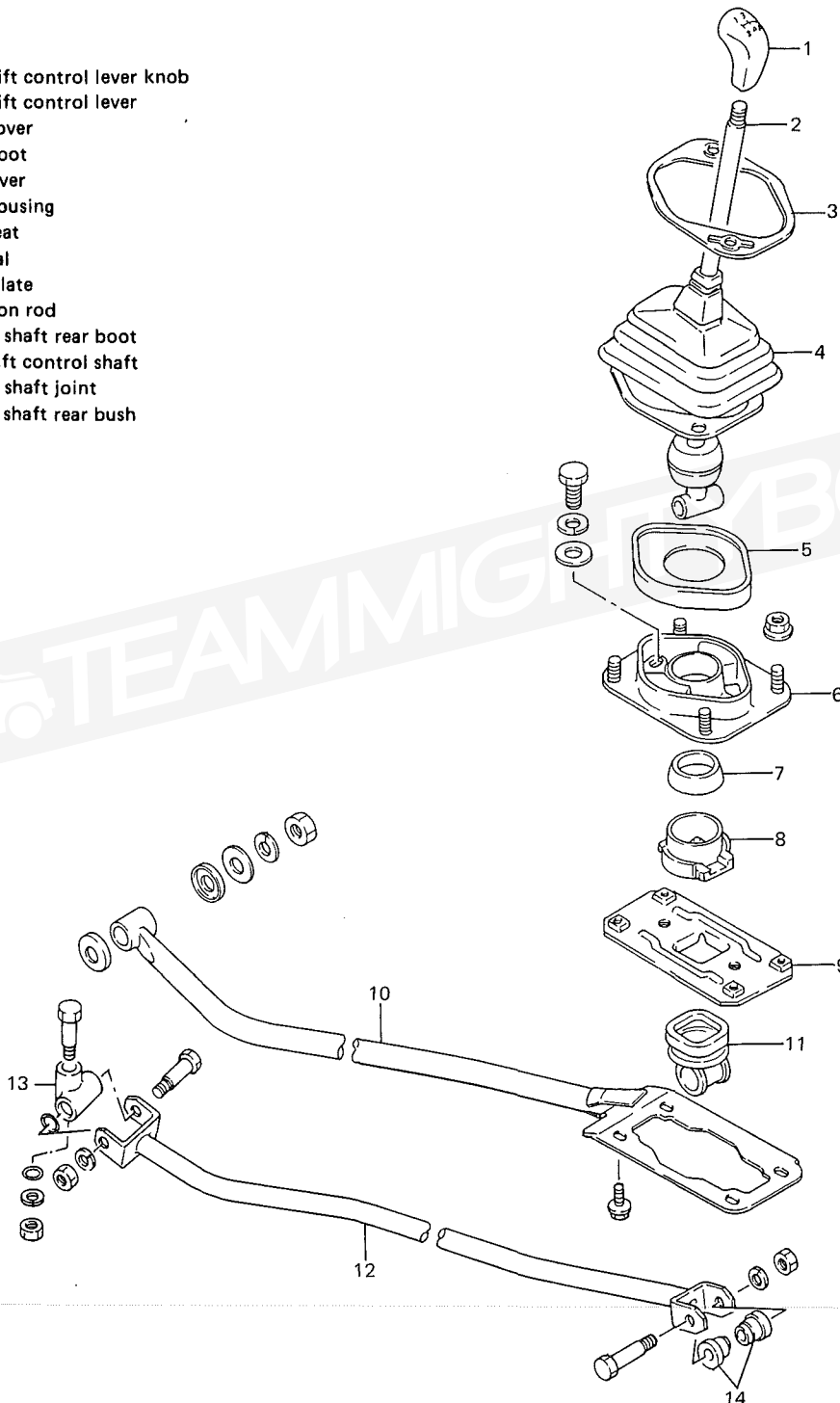


12-1. DESCRIPTION

The movement of the gearshift lever is transmitted by the control shaft to the transmission case, and the three fork shafts are actuated selectively to shift the gear.

Such component parts as the gear shift control lever housing, extension rod and guide plate are designed as suspended type so that the engine vibration propagated to the gear shift control lever is decreased.

1. Gear shift control lever knob
2. Gear shift control lever
3. Lever cover
4. Lever boot
5. Dust cover
6. Lever housing
7. Lever seat
8. Dust seal
9. Guide plate
10. Extension rod
11. Control shaft rear boot
12. Gear shift control shaft
13. Control shaft joint
14. Control shaft rear bush

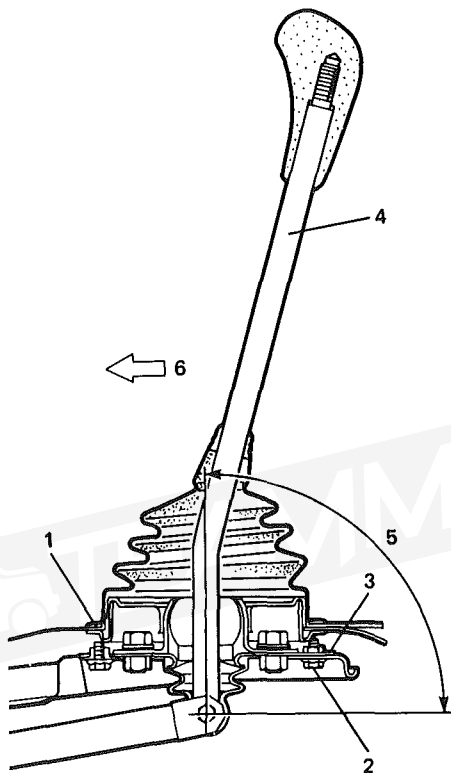


12-2. INSPECTION AND ADJUSTMENT

Gear shift control lever adjustment

When each shift stroke is short, or when gears are not in complete mesh, adjust gear shift lever position as follows.

Loosen gear shift control housing nuts 1 and guide plate bolts 2. Adjust gear shift lever position by displacing it toward front and rear so that each shift stroke is equal and each gear is in complete mesh.

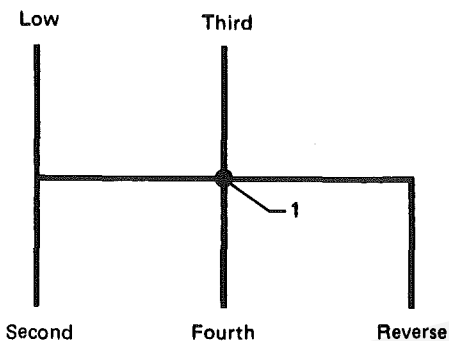


1. Gear shift control housing nut
2. Guide plate bolt
3. Guide plate
4. Gear shift control lever
5. Right angle
6. Front side

Gear shift control lever position

When gear shift lever is brought into neutral position, it should be in such position along lever select direction, as shown in figure, from where its direct shift in either "third" or "fourth" is possible.

If lever is out of such position, check gear shift control shaft bushings for wear, and if bushings are badly worn, replace them.



1. "Neutral" position

Lubrication

Apply grease (SUZUKI SUPER GREASE A) to gear shift control lever seal and control rod bushes periodically.

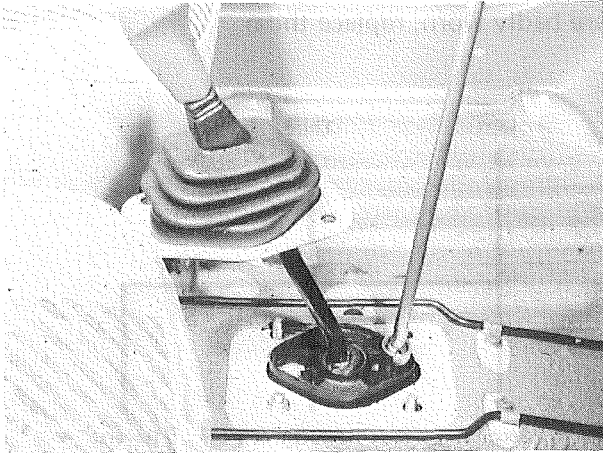
For greasing points, refer to illustration in page 12-5.

12-3. REMOVAL

Gearshift control lever

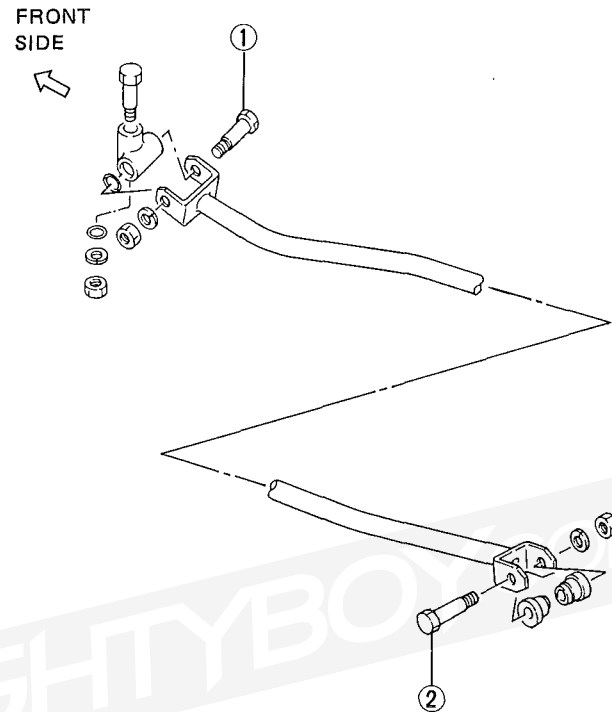
Remove gearshift control lever according to following procedure.

- 1) Remove gearshift control lever housing nuts (4 pcs) and bolts (2 pcs).

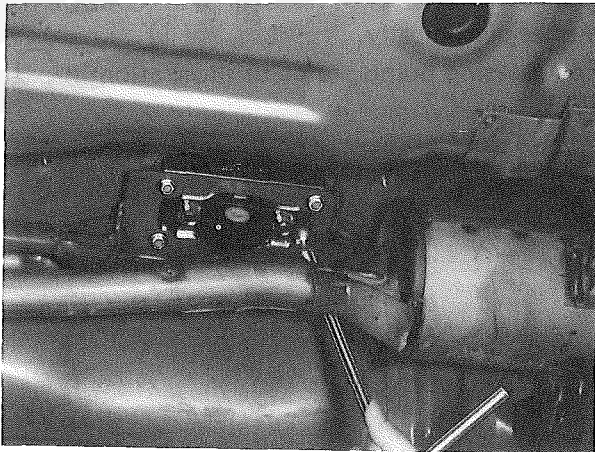


Gearshift control shaft

To remove control shaft, remove bolt ① connecting gearshift control shaft and gearshift shaft on transmission side. Then remove bolt ② from control shaft.



- 2) Lift front end of vehicle by jacking, and support it on safety stands.
- 3) Remove lever joint bolt.
- 4) Remove extension rod.



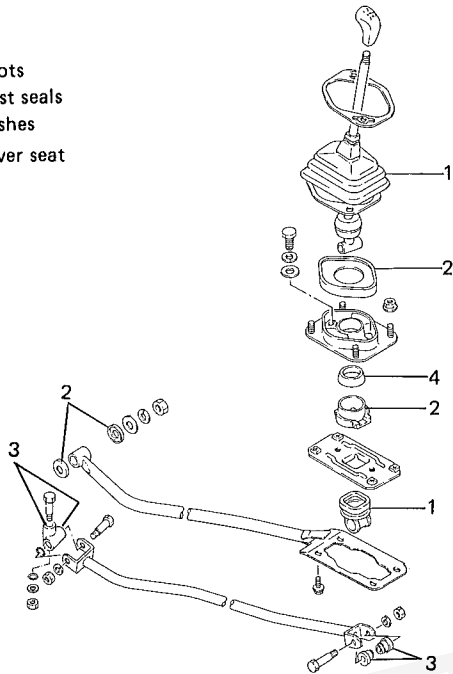
- 5) Pull out gearshift control lever downward.

12-4. INSPECTION OF GEAR SHIFTING CONTROL COMPONENTS

Boots, dust seals and bushes

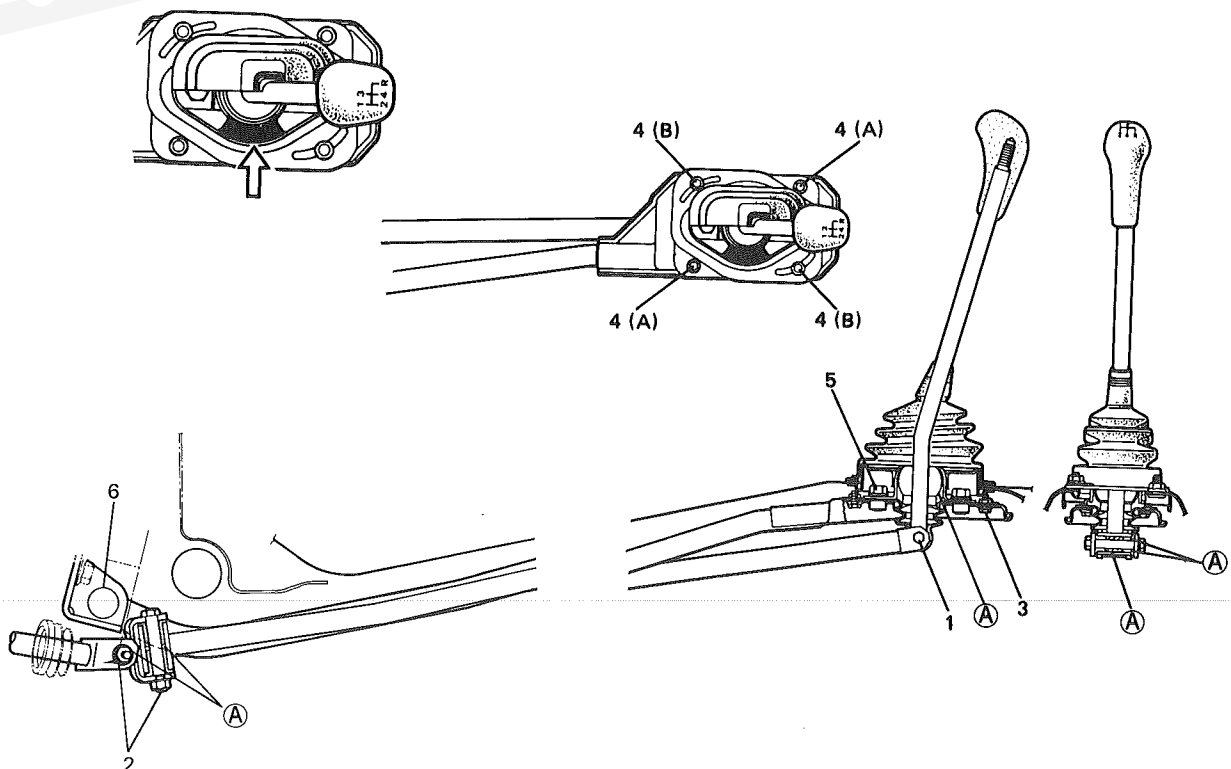
Check them for damage and wear.
Replace if defective.

1. Boots
2. Dust seals
3. Bushes
4. Lever seat



Gearshift lever housing

Check rubber for damage or crack and replace if defective.



12-5. INSTALLATION

Install in reverse order of removal, noting the following

- Apply enough grease (SUZUKI SUPER GREASE A, 99000-25010) to positions indicated as (A) in below figure.
- Tightening torque

Ref. Nos. in below figure	Bolt or nut	N·m	kg·m (lb·ft)
1	Control shaft rear nut	8 - 10	0.8 - 1.0 (6.0 - 7.0)
2	Control shaft front nut	8 - 10	0.8 - 1.0 (6.0 - 7.0)
3	Guide plate bolt	8 - 10	0.8 - 1.0 (6.0 - 7.0)
4 (A)	Control housing nut	15 - 20	1.5 - 2.0 (11.0 - 14.0)
4 (B)	Control housing nut	3 - 6	0.3 - 0.6 (2.5 - 4.0)
5	Housing bolt	22 - 35	2.2 - 3.5 (16.0 - 25.0)
6	Extension rod nut	25 - 40	2.5 - 4.0 (18.5 - 28.5)

