

SECTION 10

CHARGING SYSTEM

NOTICE:

Refer to the section "10. CHARGING SYSTEM" of 99500-84000-01E SERVICE MANUAL (ALTO) for necessary information concerning the subject of this section.

SECTION 11

CLUTCH

NOTICE:

For the items not found in this section, refer to the section "11. CLUTCH" of 99500-84000-01E SERVICE MANUAL (ALTO).

10

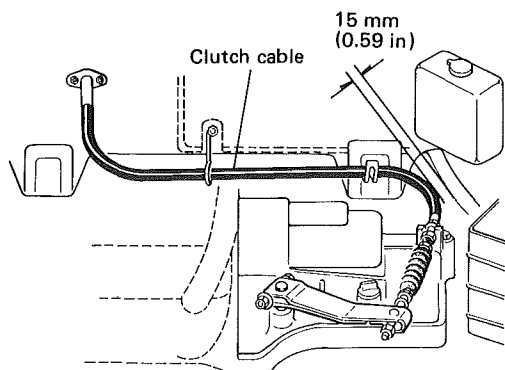
11

MAINTENANCE SERVICES

Clutch Cable (Right hand steering vehicle)

Clamp clutch cable securely.

Clearance between clutch cable and body must be more than 15 mm (0.59 in.).



Clutch Cable Lubrication

Apply grease to hook part ① of clutch cable.

