

## SECTION 8

# IGNITION SYSTEM

### NOTICE:

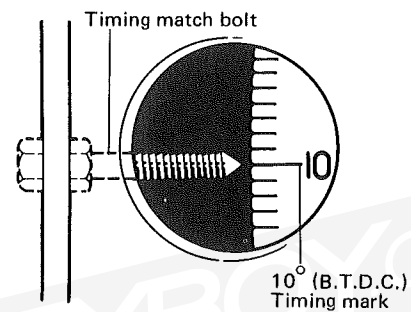
For the items and description not found in this section, refer to the section "8. IGNITION SYSTEM" of 99500-84000-01E SERVICE MANUAL (ALTO).

### INSTALLATION AND IGNITION TIMING

Bolt is used for timing match mark as shown at the right. Therefore, when installing distributor or checking ignition timing, use this timing match bolt and 10° (B.T.D.C.) timing mark on flywheel as standard.

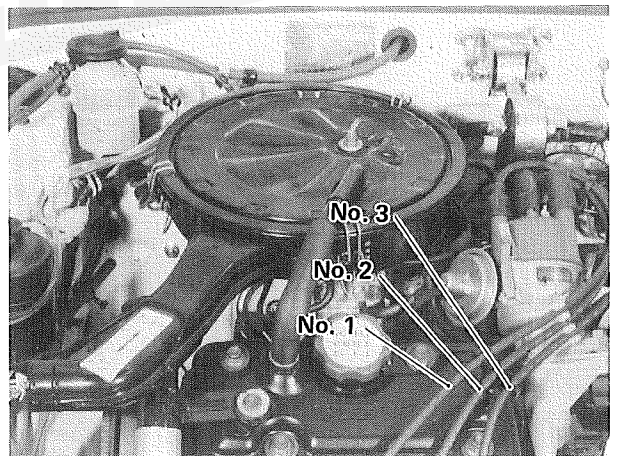
### NOTICE:

Automatic transmission car uses plate instead of bolt for timing match mark. Refer to above mentioned ALTO Service Manual.



### High-tension cords

Install three high-tension cords, making sure to identify three cap terminals of distributor for three cylinders.



8

9

## SECTION 9

# CRANKING SYSTEM

### NOTICE:

Refer to the section "9. CRANKING SYSTEM" of 99500-84000-01E SERVICE MANUAL (ALTO) for necessary information concerning the subject of this section.

