

SECTION 7

CAR HEATER (Optional)

CONTENTS

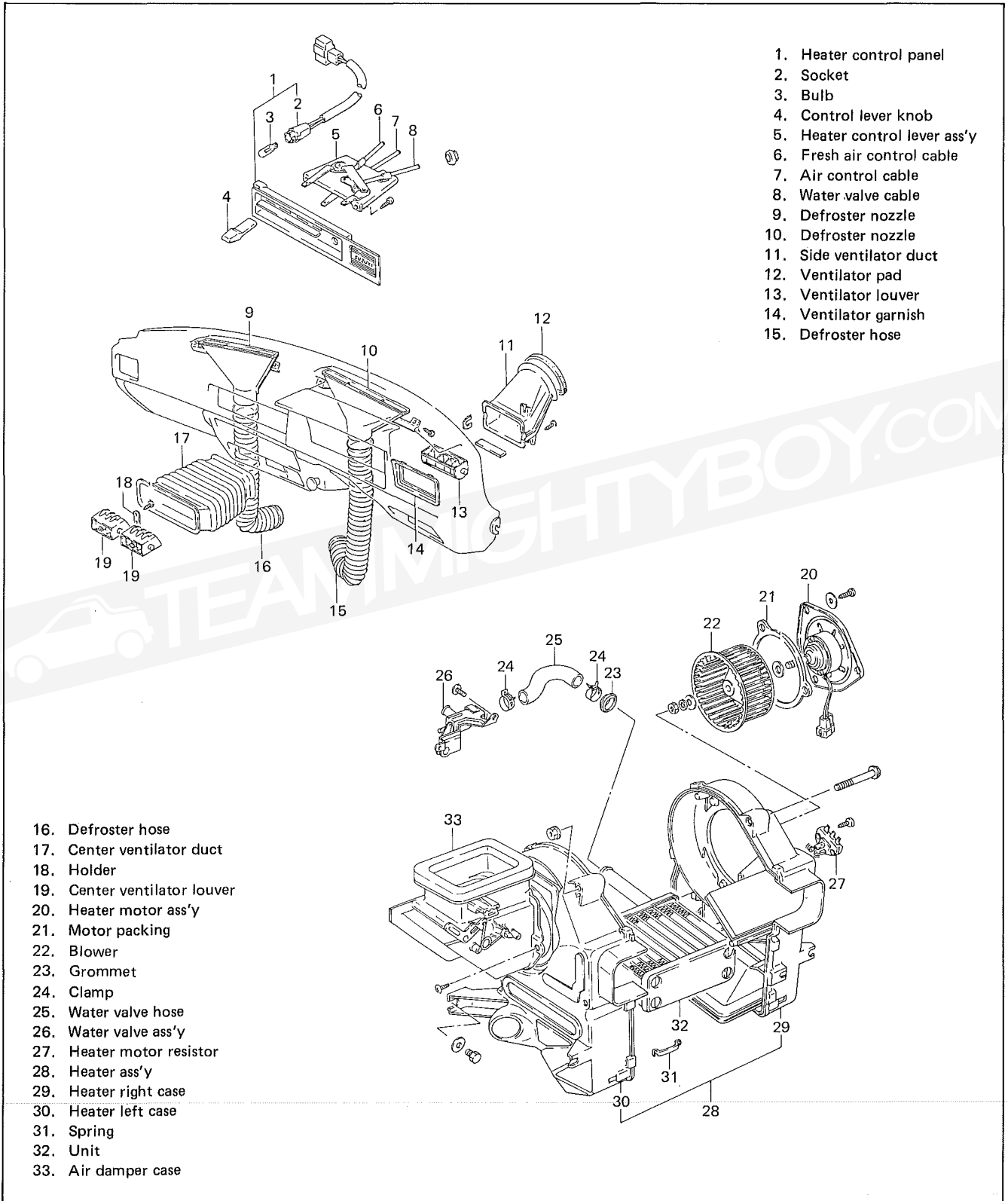
| | |
|-------------------------------|-----|
| 7-1. DESCRIPTION | 7-2 |
| 7-2. ELECTRICAL CIRCUIT | 7-3 |
| 7-3. REMOVAL | 7-3 |
| 7-4. INSPECTION | 7-4 |



7-1. DESCRIPTION

The car heater is of a hot water type and operates quietly. The air is heated by engine coolant and warm air is blown into car interior by blower motor.

The blower motor is driven electrically, independent of engine speed, and operates effectively even when engine speed is low.

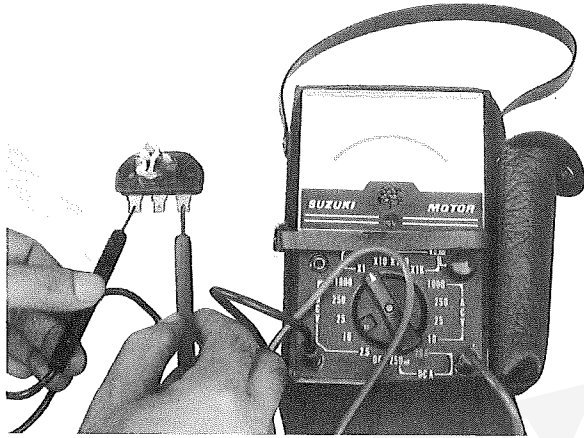


7-4. INSPECTION

Fan resistor

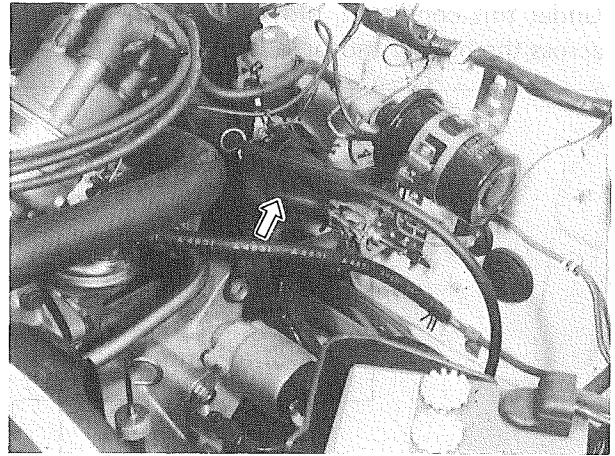
This resistor is on heater case right side. Inspect it for signs of cracking or breakage and replace it as necessary. If blower motor will not run or when you replace existing resistor, check to be sure the total resistor has an ohmic resistance of about several ohms. Use circuit tester for this purpose.

| | |
|----------------------------|--------------|
| Fan resistor specification | Several ohms |
|----------------------------|--------------|



Heater hoses

Check heater hoses for connection condition, breakage, cracks and other damage, and replace if necessary.



Fan switch

Using a circuit tester, check this switch for circuit continuity:

Heater fan switch

| | | | | |
|-----|-------|----------|-------------|------|
| III | ○ | ○ | ○ | ○ |
| II | ○ | ○ | ○ | |
| I | ○ | ○ | | |
| OFF | | | | |
| | Black | Blue/Red | Blue/Yellow | Blue |