

8. CAR HEATER (Optional)

8-1.	Description	8-2
8-2.	Electrical Circuit	8-3
8-3.	Removal	8-4
8-4.	Heater Services	8-5



8-1. Description

The car heater is of a hot water type and operates quietly. The air is heated by the engine coolant and the warm air is blown into the car interior by the blower motor.

The blower motor is driven electrically, independent of engine speed, and operates effectively even when the engine speed is low.

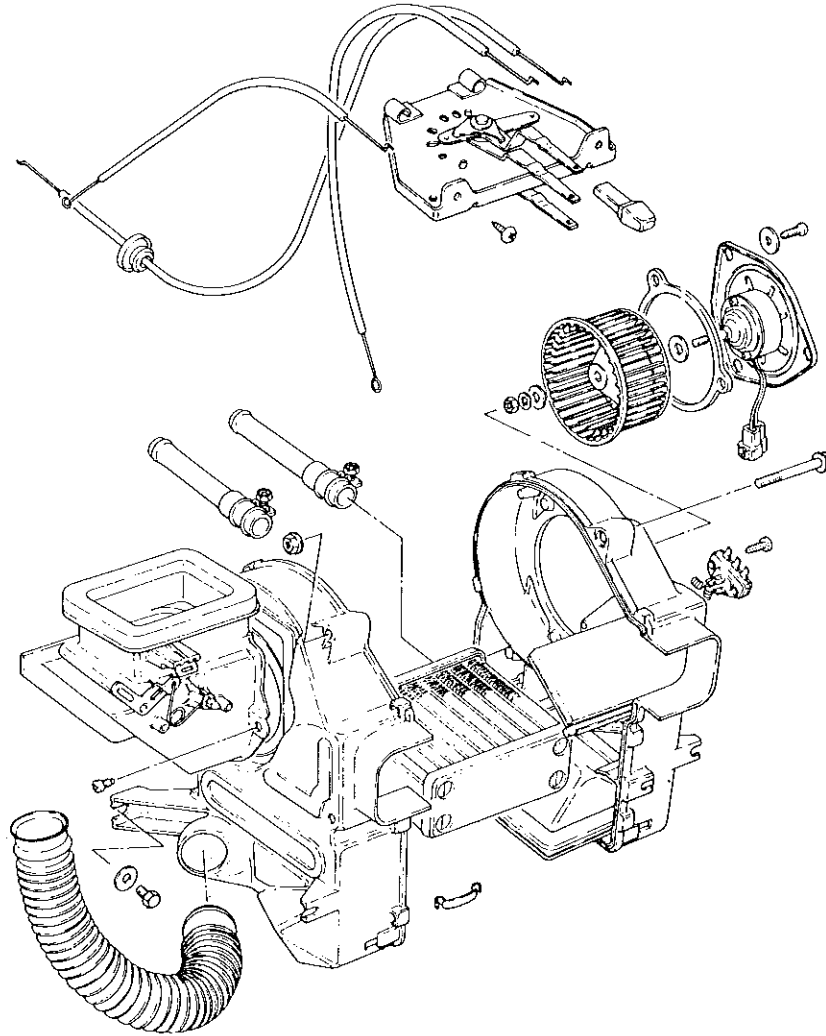


Fig. 8-1

8-2. Electrical Circuit

The circuit diagram (Fig. 8-2) shows how the blower motor is controlled. Turn the main switch to "ON", turn (pull) the fan switch knob on one step, and voltage is applied across the blower motor. The current is small because of the resistor provided in the circuit (indicated as "fan resistance" in the diagram). Under this condition, the blower runs slowly. By turning (pulling) the fan switch knob fully, the full battery voltage is applied across the blower motor, a large current flows and the blower motor runs at full speed.

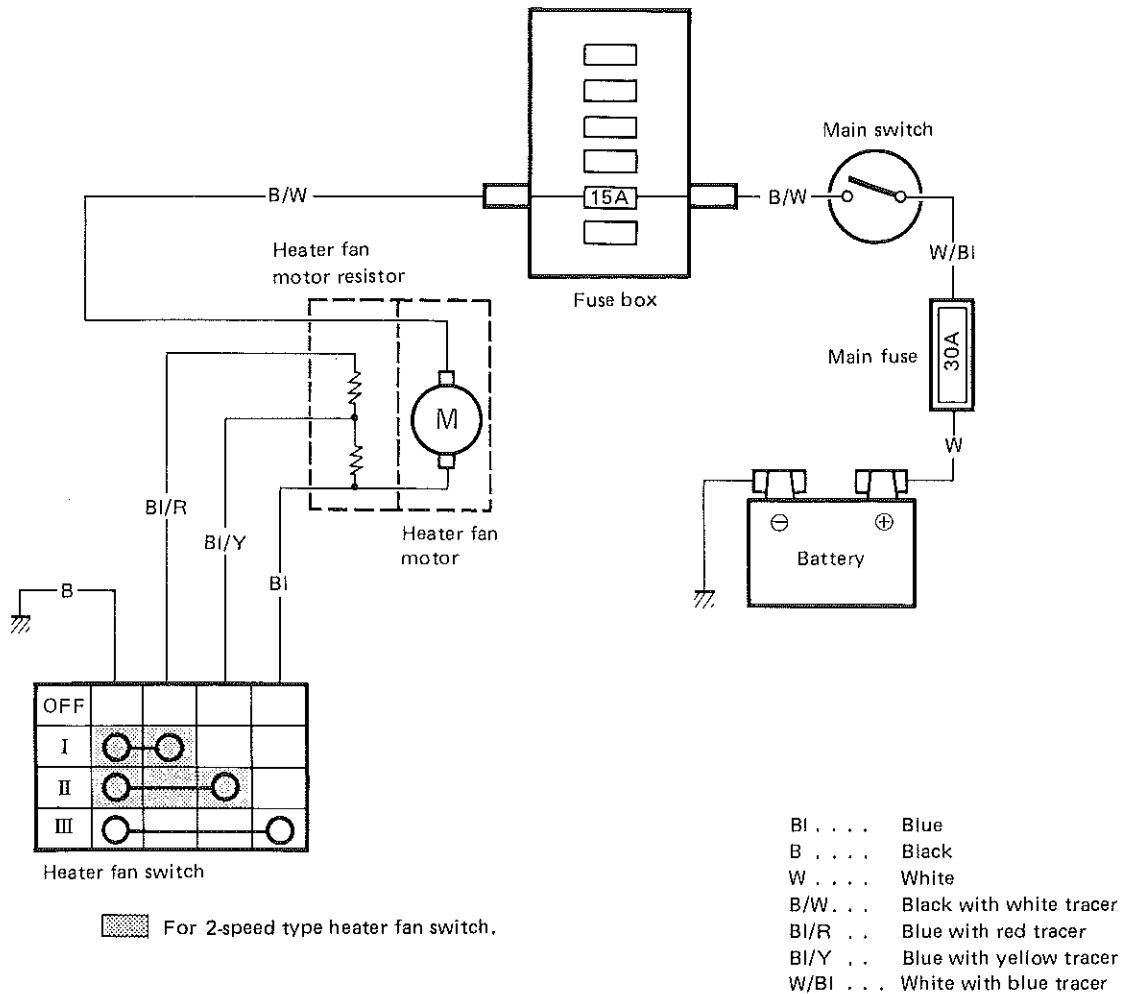


Fig. 8-2

8-3. Removal

Fan resistor

The fan resistor has been installed on the right side of the heater box. Disconnect the lead wire at the coupler and remove the resistor from the box.

Heater radiator

- 1) Disconnect the lead wire from the radiator fan thermo switch, and remove the thermo switch on the radiator to empty its water.

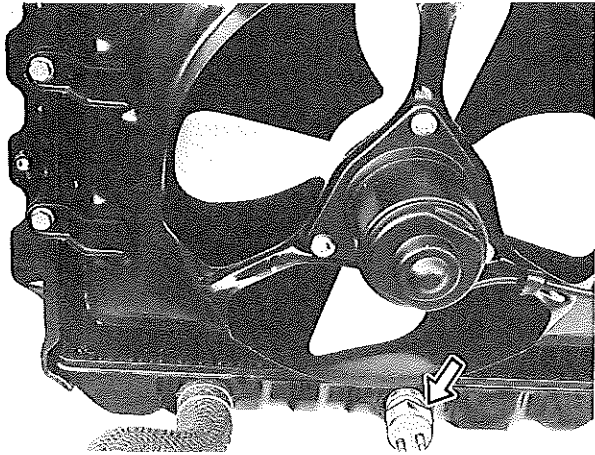


Fig. 8-3

- 2) Detach the heater hoses (2 pcs) from the heater radiator.

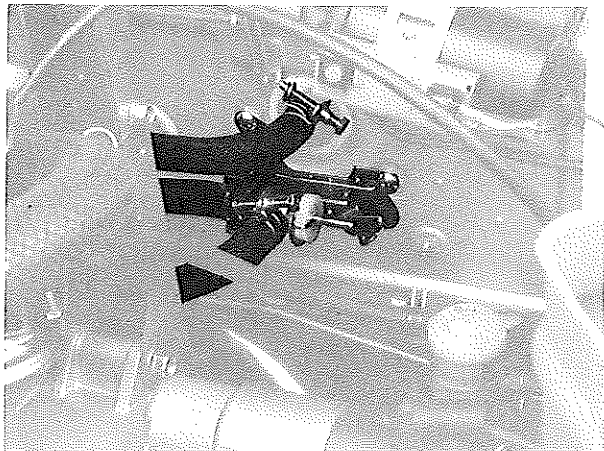


Fig. 8-4

- 3) Remove the heater box.

8-4. Heater Services

Fan resistor

This resistor is on the heater case right side. Inspect it for signs of cracking or breakage and replace it as necessary. If the blower motor will not run or when you replace the existing resistor, check to be sure the total resistor has an ohmic resistance of about several ohms. Use a circuit tester for this purpose.

Fan resistor specification	Several ohms
----------------------------	--------------

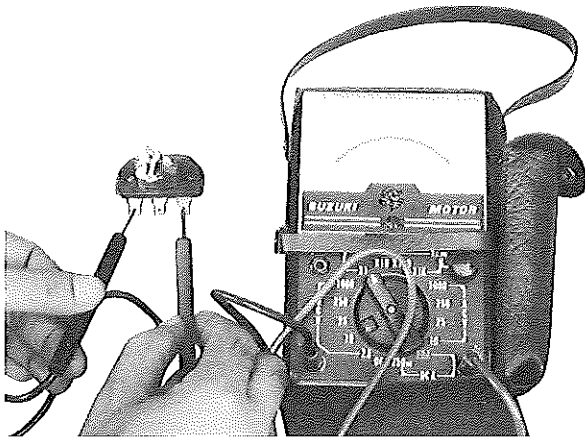


Fig. 8-5

Fan switch

Using a circuit tester, check this switch for circuit continuity:

3-speed type

III	○	—	—	○
II	○	—	○	
I	○	○		
OFF				
	Black	Blue/red	Blue/yellow	Blue

2-speed type

II	○	—	○
I	○	○	
OFF			
	Yellow	Blue/white	Blue

Heater hoses

Check the heater hoses for the connection condition, breakage, cracks and other damage and replace if necessary.

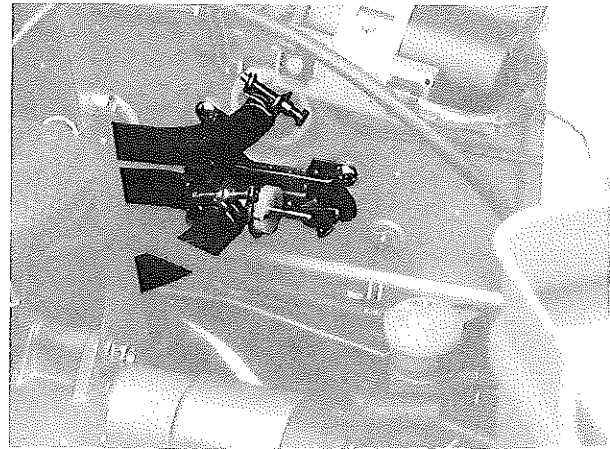


Fig. 8-6

